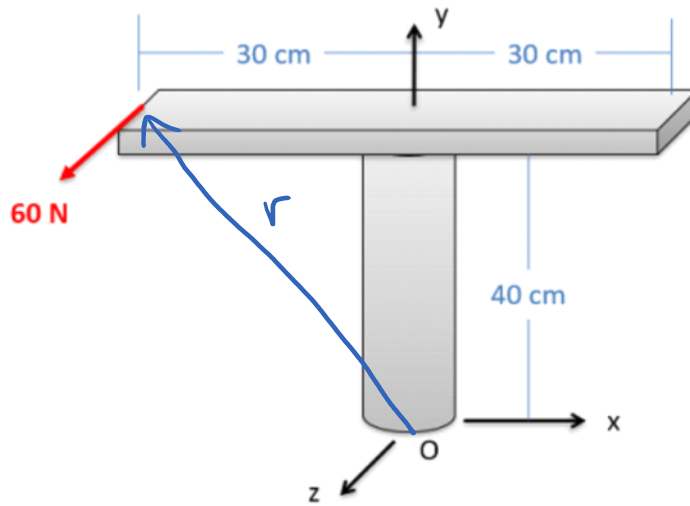


### Question 3

What is the moment that the force shown below exerts about the base of the pole at O? Leave your answer as a moment vector.



$$\vec{r} = [-.3, .4, 0] \text{ m}$$

$$\vec{F} = [0, 0, 60] \text{ N}$$

$$\vec{M} = \vec{r} \times \vec{F} = [-.3, .4, 0] \times [0, 0, 60]$$

$$\vec{M} = [24, 18, 0] \text{ Nm}$$